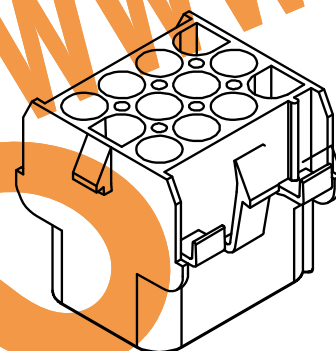
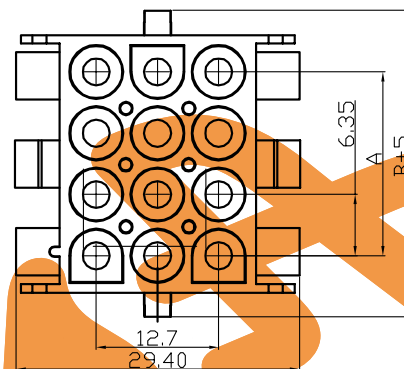
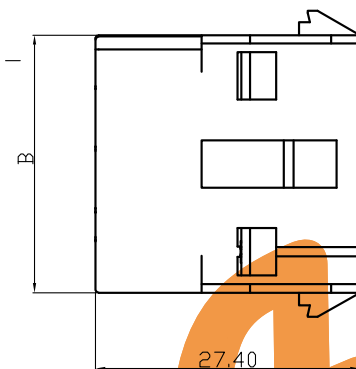
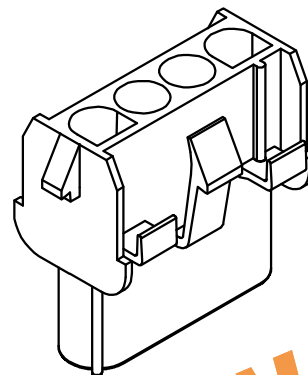
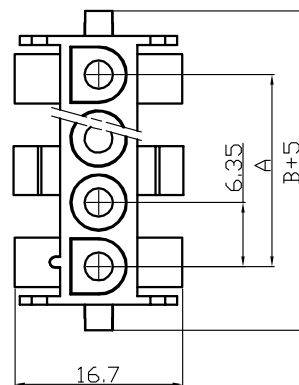
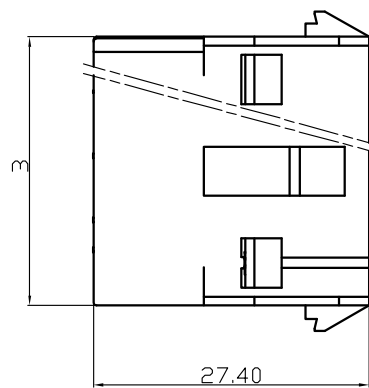


63080 Type Housing



| Poles | Part No. | | Dimensions | |
|-------|------------|----------|------------|-------|
| | | | A | B |
| 2 | WW6352-H02 | 63080-2A | 6.35 | 14 |
| 3 | WW6352-H03 | 63080-3A | 12.7 | 20.35 |
| 4 | WW6352-H04 | 63080-4A | 19.05 | 26.7 |
| 5 | WW6352-H05 | 63080-5A | 25.4 | 33.05 |



| Poles | Part No. | | Dimensions | |
|-------|--------------|------------|------------|-------|
| | | | A | B |
| 6 | WW6352-H02x3 | 63080-3x2A | 6.35 | 14 |
| 9 | WW6352-H03x3 | 63080-3x3A | 12.7 | 20.35 |
| 12 | WW6352-H04x3 | 63080-3x4A | 19.05 | 26.7 |
| 15 | WW6352-H05x3 | 63080-3x5A | 25.4 | 33.05 |

Model 63080-R
Poles 2 ~ 6 / 2 x 2 / 2 x 3 ~ 5 x 3 P
Rated voltage 300 V AC/DC
Rated current 11~13.5 A
Applicable wire AWG #24 ~ #20
Contact resistance ≤ 20 mΩ
Insulation resistance ≥ 1000 MΩ
Withstand voltage 1000 V AC/min
Temperature range -25 °C ~ 85 °C


WWW.AsA-Elec.com

AsA Electronic Co.

Tel : (+98) 21 66 73 56 82 Mob : (+98) 912 03 161 02

| | | | | | | |
|--------------------|-------------------|------------------|-------------|-------------|----------|---|
| | Housing | PA66(UL94V-0V-2) | 1 | White | | |
| No. | Item/Material No. | Material | QTY | Remark | | |
| Unmarked Tolerance | | | | | | |
| | | | | | | |
| Unit | | Scale | Design Unit | Size | Part No. |   |
| mm | | — | Metric | A4 | | |
| Draw | Review | Approve | Material | Drawing No. | Part No. | |
| | | | Item | 63080-NA | | |